

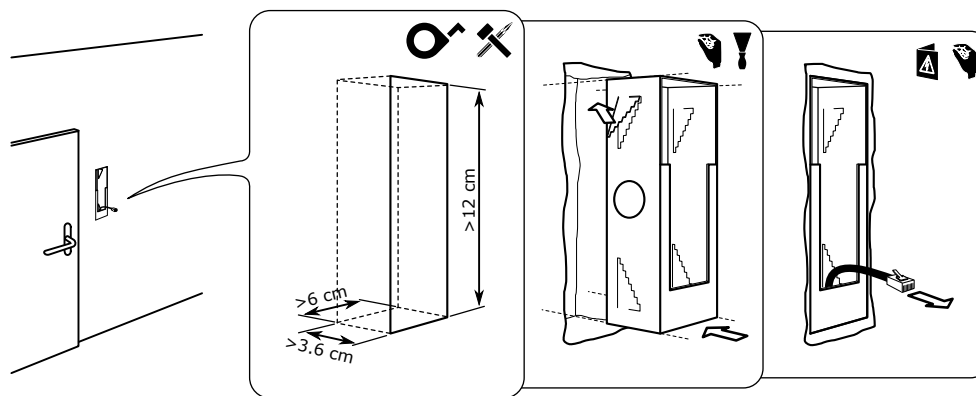
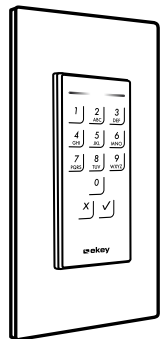
1) Mount the design element.
2) Turn on the power



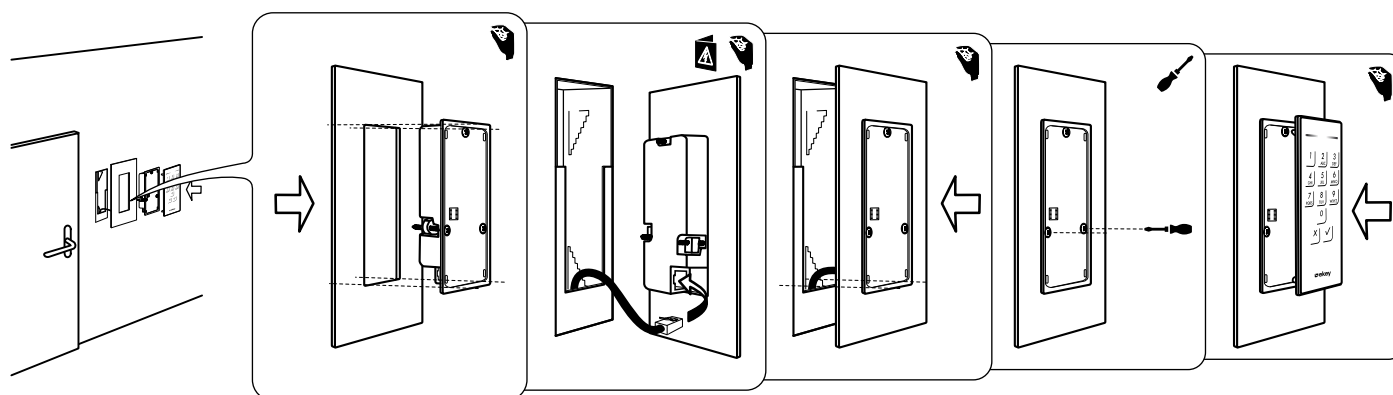
801908



1



2



- 1) Mount the design element
- 2) Turn on the power