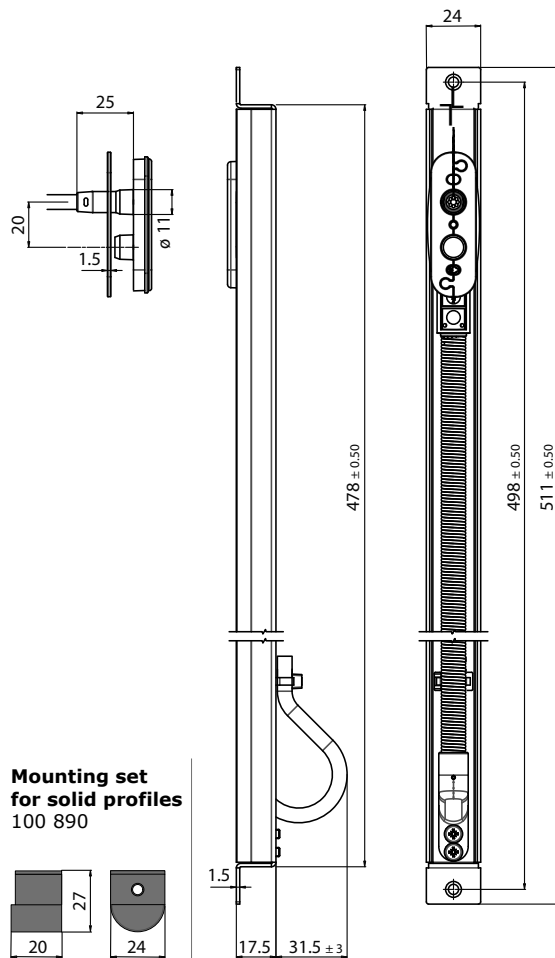




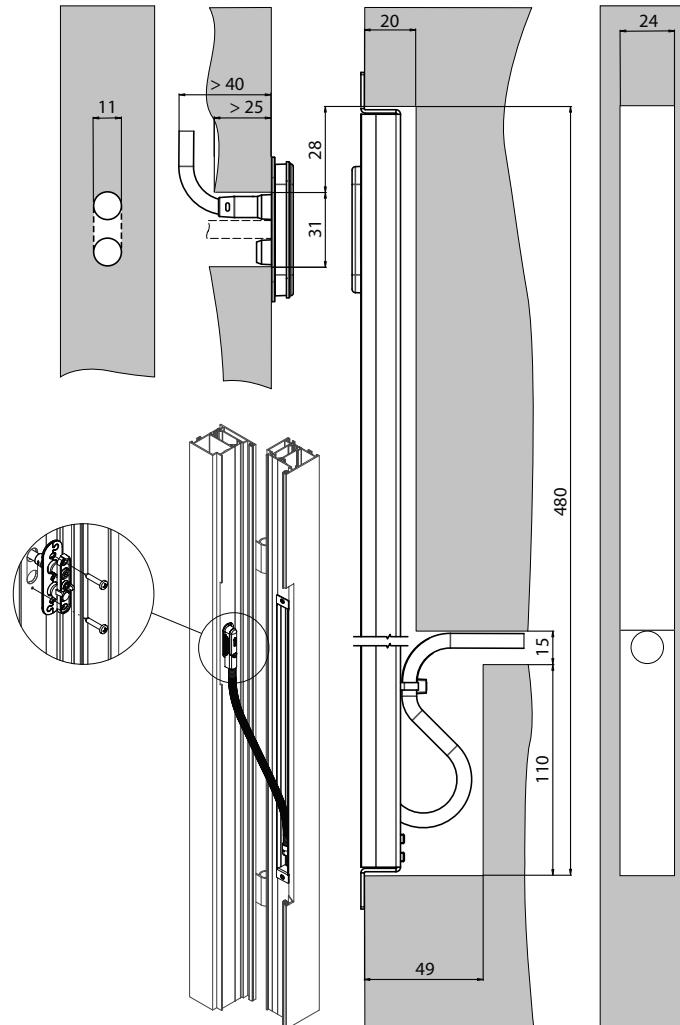
Technical data:

Electrical parameters: 2.5 A; 48 VDC
Cable: Li9Y11Y, 8 x 0.34 mm², RoHS compliant
IP rating: IP40/connector IP67
Temperature: from -20 °C to +75 °C

Dimensions



Milling dimensions for mounting into hollow profiles



Milling dimensions for mounting into solid profiles

